



CLEMCO
The Performance
System

TECHNICAL DATA SHEET

Note: For safe, efficient blasting, read and follow the owner's manual and seek training for everyone who will use this equipment.

Purpose

High-performance blast cleaning system removes corrosion, mill scale, and coatings from most surfaces. Produces a uniform surface texture, and creates a surface profile to increase bonding for coatings. See related literature for additional applications. Machine holds 6 cubic feet of abrasive for up to 30 minutes of continuous blasting at 100 psi with standard No. 6 nozzle ($\frac{3}{8}$ -inch orifice).

Requirements for Operation

These items are required but not included with this equipment.

- Clean, dry, compressed air of sufficient volume to maintain desired pressure at the nozzle - see chart in Blast Off 2 booklet
- Maximum working pressure 150 psi
- Minimum pressure 30 psi needed to operate OSHA-required remote control valves
- NIOSH-approved supplied-air respirator
- Grade D breathing-air supply, refer to the Compressed Gas Association Commodity Specification; G-7.1 for NIOSH-approved supplied-air respirator
- Blast suit and work boots
- Abrasive blast media - consult abrasive supplier for appropriate media for your application

Description of Operation

The operator controls blasting from a remote control handle at the nozzle. Pressing the handle starts blasting, releasing it stops blasting. The blast machine contains abrasive and meters it into the compressed air stream.

Description

Field portable, high-production, single chamber blast machine, rated at 150 psi, (for one operator). Holds 6 cubic feet of blast media. Equipped with Millennium pneumatic remote controls, Quantum-K manual metering valve, and CPF-20 air filter.

6 Cu Ft Contractor Blast Machine with CPF Filter

Stock No. 21546



Advantages

- Rated for 150-psi working pressure
- 1½-inch Millennium valve provides unrestricted air flow
- Quantum-K metering valve maintains smooth, consistent flow, adjustment knob allows precise control of media flow
- 1¼-inch piping allows up to 50 percent increase in air flow, when compared to standard 1-inch piping
- 29-inch width fits through standard doorways
- CPF-20 breathing air filter, installed
- Four-wheel integral cart for ease of moving

- Robust handles act as skid for loading machine into pickup or trailer and protect valves and piping from damage
- Central hookup point for blast hose and remote controls
- Weather-resistant storage area holds manuals, paperwork and small parts

Approvals and Certifications

Blast machine pressure vessel certified by American Society of Mechanical Engineers (ASME) for 150-psi working pressure.

Remote control system complies with OSHA regulation 1910.244 (b).

Related Clemco Literature

Description	Stock No.
Contractor Series Catalog	21385
Abrasive Blasting Safety Practices	22090
Blast Off 2	09294
Contractor Blast Machine Owner's Manual	21942

Options & Accessories

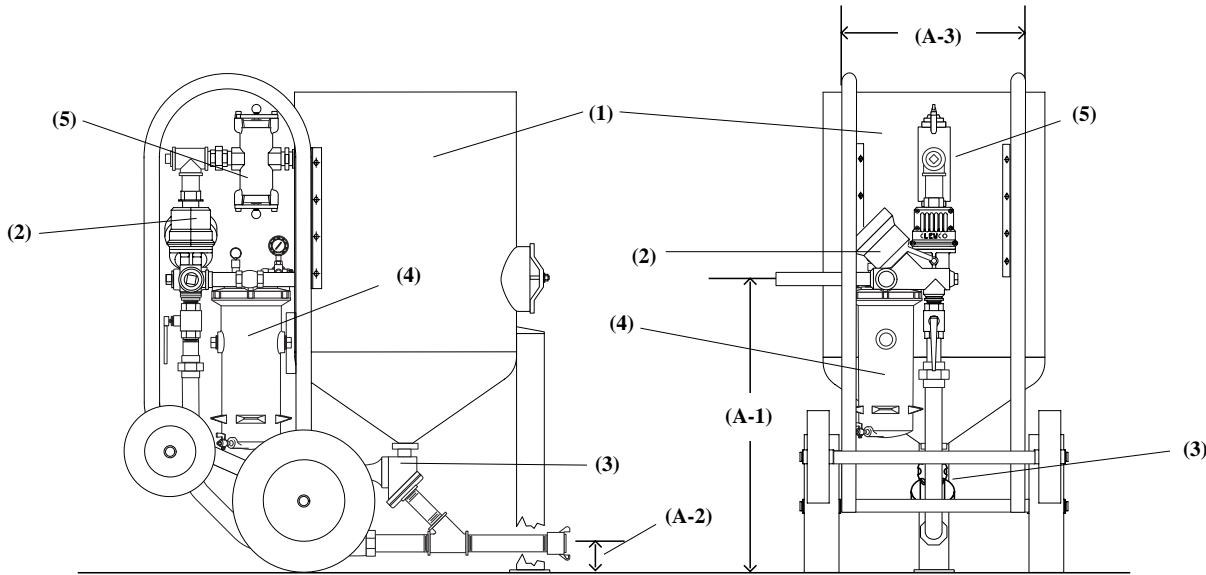
Description	Stock No.
Blast machine cover, 24"	02336
Blast machine screen, 24"	03100
Supa blast hose, 1 1/4" x 50 ft	07729
Nozzle holder, NHP-2	04127
Coupling, CQPS-2	08413
1 1/2" Moisture separator w/manual drain	22363
Blast hose safety cable	15013
Apollo 60 HP respirator with Cool Air Tube and 50 ft of hose	10511
Carbon monoxide alarm, CMS-2	22894
Blast suit	S (08920), M (08921), L (08922), XL (08923)
Leather gloves	02243

Included with Stock No. 21546

Item	Description	Stock No.
1.	6 cu ft contractor blast machine	21610
2.	1 1/2" Millennium valve	21336
3.	Quantum-K abrasive metering valve	22845
4.	CPF-20 air filter w/ pressure regulator & gauge ..	03578
5.	Abrasive trap	02011
(-)	50 ft twinline hose	01951
(-)	RLX pneumatic handle	10565

Installation Dimensions

A-1 - Floor to center of inlet pipe	31 1/4"
A-2 - Floor to center of hose coupling	3 7/8"
A-3 - Width - outside handles	19 7/8"



Nominal Dimensions

	Unit	Shipping (including skid)
Height (floor to highest point):	53 1/2"	59"
Width (outside hub to hub):	29"	35"
Length (hose cplg. to handle):	51"	52"
Machine diameter:	24"	
Net weight:	532 lb	
Shipping Volume:		62.1 cu ft
Shipping Weight:		606 lb

Packaging

Secured on skid and shrink wrapped

Color

Green

Authorized Distributor:

FORTNA EQUIPMENT CO.
2985 S. Wyandot Street
Englewood, CO 80110
303-756-6066
www.fortnaequipment.com

ISO 9001 certified. Clemco is committed to continuous product improvement. Specifications are subject to change without notice.

© 2000 Clemco Industries Corp. • One Cable Car Drive • Washington, MO 63090 • Phone (636) 239-4300 • Fax (636) 239-0788

Stock No. 21951

www.clemcoindustries.com

Job No. 1195-1295 • Date of Issue: 06/98 Rev. A: 05/00